

BRANSON

2000 SERIES

Custom Ultrasonic Carriage

GENERAL DESCRIPTION

The Branson 2000 Custom Carriage is designed for use in automation where clamping of an ultrasonic stack (converter, booster, and horn) is required. The Custom Carriage is key to keeping the stack aligned to the product being assembled without causing undue stress at the clamping areas around the booster and converter.

The Custom Carriage can be mounted at any angle, and allows easy access for stack removal during setup and maintenance.

The mounting section is made from cast aluminum with four pre-drilled and tapped holes for attaching to an automation frame. The carriage door is designed from plastic to provide a tight fit without allowing for over-torque problems.

KEY FEATURES

- Rectangular cutout along full length to achieve maximum rigidity.
- Booster clamp area designed for maximum support and rigidity.
- Open top design allows for easy access to both the RF and air cooling connections
- Mountable to fixed or moving surfaces.
- Flexible: can be used with either 900 or 2000 Series 20 and 30 kHz products.

WARRANTY

The Branson 2000 Custom Carriage carries a two-year warranty on materials or workmanship. *Note:* This warranty applies to equipment purchased and operated in North America. For warranty information on units purchased and/or operated outside the U.S. contact your local representative.



ORDERING INFORMATION

Note: All sales shall be subject to the Supplier's terms and conditions of sale as described in Branson's quotations and sales contracts.

Branson EDP No.

2000 Custom Carriage 100-246-1127

For use with 30 kHz, order:

Adaptor Sleeve Nut 100-073-199

Adaptor Sleeve Body 100-092-045

Note: the 30 kHz converter uses an SHV style RF connector, and therefore requires a J934C RF Cable.

Converters

The Branson 2000 Custom Carriage works with all 20 kHz "R" type (MS and SHV connectors) converters and 30 kHz converters (SHV connector). Specialty converters are available. Contact your Branson representative for descriptions and availability.

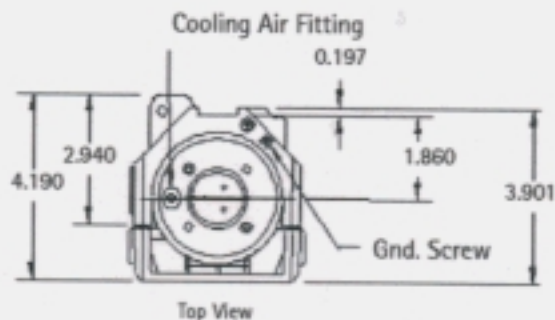
Boosters

Boosters are available in the standard O-ring mount configuration or with solid mount or rigid mount for increased rigidity. Contact your Branson representative for descriptions and availability.

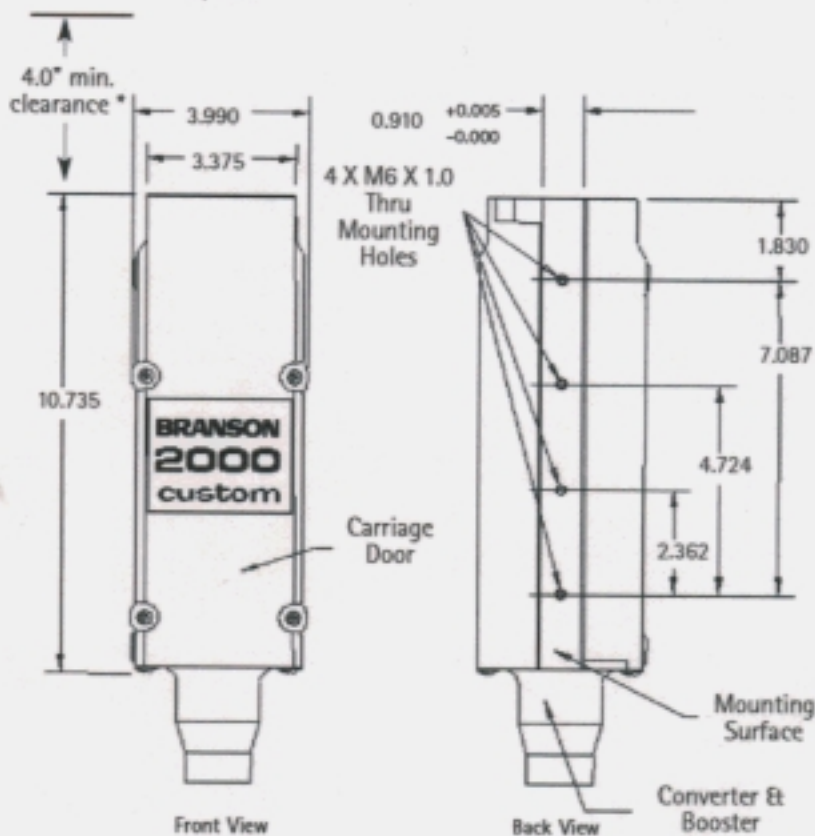
**Applied
Technologies
Group**

41 Eagle Road
Danbury, CT
06813-1961
(203) 796-0349
fax (203) 796-9838
e-mail: info@bransonultrasonics.com

BRANSON



* Note: Allow clearance of 4.0" min. above top of carriage for RF cable bend. ▶



REGIONAL TECHNICAL CENTERS

Headquarters:	Toll free: 888-BUC-JOIN (888-282-5646)	
Boston:	781-938-8168	Fax: 781-935-0535
Chicago:	847-229-0800	Fax: 847-229-0861
Atlanta:	770-962-2111	Fax: 770-962-3720
Los Angeles:	909-305-2080	Fax: 909-305-2060
Dallas:	972-484-9228	Fax: 972-484-9976
Detroit (Automotive):	248-299-0400	Fax: 248-299-9343
Rochester, NY:	716-624-8000	Fax: 716-624-1262
Toronto, Canada:	905-475-4640	Fax: 905-475-4637
Mexico City (Grupo Stevi):	011-52-5-581-5033	Fax: 011-52-5-582-6969



Branson

Applied Technologies Group

41 Eagle Road, Danbury, CT 06813-1961
 (203) 796-0349 FAX (203) 796-9838
 E-mail: info@BransonUltrasonics.com
 www.Branson-PlasticsJoin.com

2000 Custom Carriage